

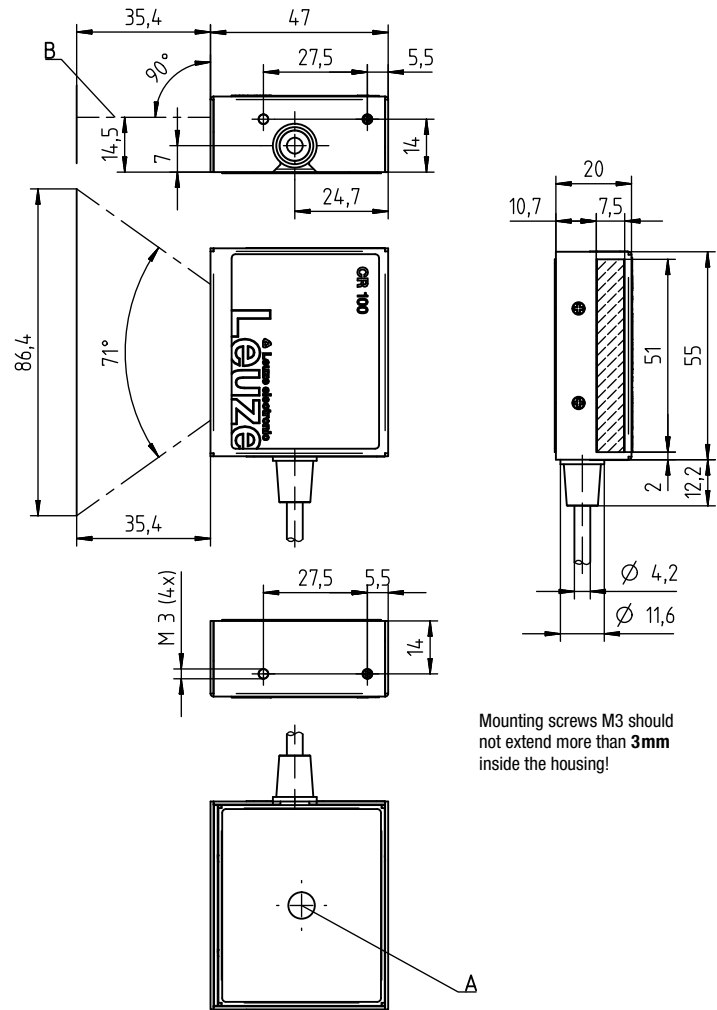
CR100M2

Bar code reader

en 02-2015/10 50127992-01



Dimensioned drawing



- A Status LED
- B Optical axis

Electrical connection

Wire color	Signal	Description	IN / OUT
Red	+5VDC	Power supply 5VDC	IN
Violet	GND	Power supply 0VDC / Ground	IN
Black	SW OUT	Switching output	OUT
Orange	SW IN	Switching input	IN
White	RS 232 RxD	Serial interface	IN
Green	RS 232 TxD	Serial interface	OUT



- CCD linear scanner for all common 1D bar codes
- Scanning rate 700scans/s
- Models with different scanning beam exit directions
- RS 232 interface
- Switching input and switching output
- Sheet metal case
- Simple mounting and fastening



Accessories:

(available separately)

- Adapter wiring board with spring clamps for contacting the single wires to a 9-pole SUB-D-type connector

We reserve the right to make changes • DS_CR100M2R2_en_50127992_01.fm

Specifications

Optical data

Optical System	CCD Linear Imager
Light source	LED 660nm (red light)
Scanning rate	700 scans/s
Resolution	m = 0.15 ... 0.5mm / 6 ... 20mil
Read distance	see reading fields
Beam exit	at the front
Code types	2/5 Interleaved, Code 39, Code 128, EAN 128, EAN/UPC, EAN Addendum, Codabar, Code 93
Software features	selectable output format, multiple read, real time decoding, control of switching input and switching output

Electrical data

Operating voltage	4.9 ... 5.4VDC (PELV) ¹⁾
Current consumption	max. 250mA
LEDs	1 device/read status
Ports	1 switching input 5VDC 1 switching output 5 ... 30V, 20mA

Interface

Interface type	RS 232
Baud rate	4800 ... 57600Bd
Data formats	data bits: 7, 8 parity: none, even, odd stop bits: 1, 2
Protocols	framing protocol with/without handshake software handshake X ON / X OFF
Service interface	RS 232 with fixed data format: 9600Bd, 8 data bits, no parity, 1 stop bit <STX> data <CR> <LF>

Mechanical data

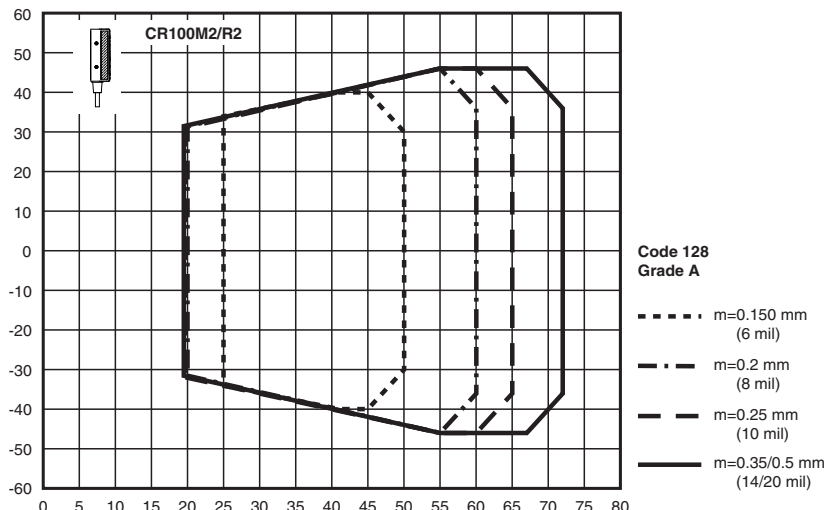
Housing	sheet metal, painted
Protection class	IP 40
Dimensions (WxDxH)	55mm x 20mm x 47mm
Weight	approx. 100g (without cable)
Connection type	fixed cable, 2m long, 6 x 0.081 mm ² (6 x 28 AWG)

Environmental data

Ambient temperature (operation)	0°C ... +45°C
Ambient temperature (storage)	-25°C ... +60°C
Air humidity	max. 90% rel. humidity, non-condensing
Ambient light	max. 5000Lux
Electromagnetic compatibility	EN 55022, EN 55024, IEC 61000-4-2, -3, -4 and -6
Conformity	CE, FCC Class B
Certifications	UL

1) For UL applications: for use in class 2 circuits according to NEC only

Reading fields



Order guide

Beam exit / connection type

at the front / fixed cable, 2m long

CR100M2/R2 - 02

Designation	Part No.
CR100M2/R2	50127450

Tables

Status LED

Color	Meaning
Orange, flashing	Start-up phase
Orange, continuous light	Reading gate active
Green	Good Read
Red	No code read

Remarks

Operate in accordance with intended use!

- ⚠ This product is not a safety sensor and is not intended as personnel protection.
- ⚠ The product may only be put into operation by competent persons.
- ⚠ Only use the product in accordance with the intended use.